

aiwa



NSX-A888

NSX-S888

COMPACT DISC STEREO
CASSETTE RECEIVER

- TYPE: U (A888),
LH (S888)

SIMPLE MANUAL

- Replace this Service Manual with "Revision Publishing" when it is issued.

S/M Code No. 09-991-408-0T1

MANUAL
SERVICE

ELECTRICAL MAIN PARTS LIST - 1/9

NOTE: The characters in the suffix column indicate the part usage.

REF.NO	PARTS NO.	DESCRIPTION	SUFFIX	
LHXX	A	
UXX	B	
		KANRI		
C	0	87-010-178-080	CHIP CAP 1000P	AB
C	606	87-010-112-080	CAP, ELECT 100-16V	AB
C	601	87-010-186-080	CAP,CHIP 4700P	AB
C	605	87-010-196-080	CHIP CAPACITOR,0.1-25	AB
C	607	87-010-196-080	CHIP CAPACITOR,0.1-25	AB
C	603	87-010-320-080	CHIP CAP 68P	AB
C	604	87-010-546-040	CAP,E 0.33-50	AB
C	602	87-015-699-040	CAP,E 10-50 7L	AB
C	652	87-010-183-080	C-CAP,S 2700P-50 B	AB
C	653	87-010-213-080	C-CAP,S 0.015-50 B	AB
FB	601	87-A50-190-080	C-COIL,S BLM21A102S	AB
J	601	87-A60-651-010	JACK,3.5MONO	AB
J	602	87-A60-651-010	JACK,3.5MONO	AB
Q	604	87-A30-075-080	C-TR,2SA1235F	AB
Q	602	87-A30-076-080	C-TR,2SC3052F	AB
Q	603	87-A30-076-080	C-TR,2SC3052F	AB
Q	601	87-A30-087-080	C-FET,2SK2158	AB
		8Z-NF5-207-010	HLDR,PWB PT	AB
C	1	87-010-387-080	CAP,E 470-25 SME	AB
C	9	87-016-520-090	CAP,E 3300-65	.B
C	8	87-016-520-090	CAP,E 3300-65	.B
C	9	87-016-657-090	CAP,E 3300-71	A
C	8	87-016-657-090	CAP,E 3300-71	A
C	5	87-A11-148-080	CAP,TC U 0.1-50 Z F	AB
C	4	87-A11-148-080	CAP,TC U 0.1-50 Z F	AB
C	6	87-A11-148-080	CAP,TC U 0.1-50 Z F	AB
C	3	87-A11-148-080	CAP,TC U 0.1-50 Z F	AB
C	31	87-010-403-080	CAP, ELECT 3.3-50V	AB
C	32	87-A10-479-080	CAP,CER 2200P-250 M E KH	AB
CN	1	87-A60-851-010	CONN,9P V VH	AB
D	3	87-020-465-080	DIODE,1SS133 (110MA)	AB
D	5	87-020-465-080	DIODE,1SS133 (110MA)	AB
D	1	87-020-465-080	DIODE,1SS133 (110MA)	AB
D	4	87-020-465-080	DIODE,1SS133 (110MA)	AB
D	2	87-020-465-080	DIODE,1SS133 (110MA)	AB
D	6	87-A40-547-090	DIODE,D5SBA20	.B
D	6	87-A40-549-090	DIODE,RBA-1002	A
D	32	87-020-465-080	DIODE,1SS133 (110MA)	AB
D	31	87-020-465-080	DIODE,1SS133 (110MA)	AB
PR	2	87-026-682-080	PROTECTOR,10A 60V491	A
PR	1	87-026-682-080	PROTECTOR,10A 60V491	A
PR	2	87-026-691-080	FUSE,10A 125V 251	.B
PR	1	87-026-691-080	FUSE,10A 125V 251	.B
PR	3	87-A91-276-080	FUSE,125MA 125V F 251	.B
PT	2	8Z-NF8-661-010	PT,SUB ZNF-8(U)	.B
PT	2	8Z-NF8-662-010	PT,SUB ZNF-8(E)	.B
PT	2	8Z-NF8-663-010	PT,SUB ZNF-8(H)	A
Q	31	87-026-245-080	TR,DTC114ES	AB
Q	32	87-A30-198-080	TR,KTC3199GR	AB
RY	2	87-A90-977-010	RELAY,AC12V DG12D1-O(M)	.B
RY	1	87-A91-281-010	RELAY,AC DC12V OSA-SS-212DM5	A
S	1	87-A90-165-010	SW,SL 1-2-3 SWS2301	A
T	2	87-A60-317-010	TERMINAL, 1P MSC	AB
T	1	87-A60-317-010	TERMINAL, 1P MSC	AB
*		88-NF6-205-010	GUIDE,FL 40-150- 9	AB
*		8Z-NF6-202-010	GUIDE,FUN	AB
*		8Z-NF6-203-010	GUIDE,OPE	AB
C	103	87-010-178-080	CHIP CAP 1000P	AB
C	106	87-010-311-080	CAP 12P	AB
C	105	87-010-316-080	C-CAP,S 33P-50 CH	AB
C	108	87-010-405-040	CAP,E 10-50	AB
C	107	87-012-157-080	C-CAP,S 330P-50 CH	AB
C	114	87-010-196-080	CHIP CAPACITOR,0.1-25	AB
C	115	87-010-198-080	CAP, CHIP 0.022	AB
C	116	87-010-493-040	CAP,E 0.47-50 GAS	AB
C	117	87-010-498-040	CAP,E 10-16 GAS	AB
C	112	87-016-081-080	C-CAP,S 0.1-16 RK	AB
C	118	87-A11-242-040	CAP,E 220-10 M 5L SRM	AB
C	113	87-A11-242-040	CAP,E 220-10 M 5L SRM	AB
C	122	87-010-178-080	CHIP CAP 1000P	AB
C	124	87-010-196-080	CHIP CAPACITOR,0.1-25	AB
C	126	87-010-196-080	CHIP CAPACITOR,0.1-25	AB
C	123	87-010-196-080	CHIP CAPACITOR,0.1-25	AB
C	125	87-010-196-080	CHIP CAPACITOR,0.1-25	AB
C	121	87-012-368-080	C-CAP,S 0.1-50 F	AB
C	153	87-010-196-080	CHIP CAPACITOR,0.1-25	AB
C	154	87-010-264-040	CAP,E 100-10 5L	AB
C	151	87-012-369-080	C-CAP,S 0.047-50F	AB
C	186	87-010-182-080	C-CAP,S 2200P-50 B	AB
C	185	87-010-197-080	CAP, CHIP 0.01 DM	AB
C	181	87-012-157-080	C-CAP,S 330P-50 CH	AB
C	202	87-012-140-080	CAP 470P	AB
C	223	87-010-408-040	CAP,E 47-50 SME	AB
C	222	87-010-421-040	CAP,E 4.7-50 5L	AB
C	221	87-010-421-040	CAP,E 4.7-50 5L	AB

ELECTRICAL MAIN PARTS LIST - 2/9

C	224	87-012-369-080	C-CAP,S 0.047-50F	AB
C	383	87-010-196-080	CHIP CAPACITOR,0.1-25	AB
C	385	87-010-196-080	CHIP CAPACITOR,0.1-25	AB
C	386	87-010-196-080	CHIP CAPACITOR,0.1-25	AB
C	381	87-010-196-080	CHIP CAPACITOR,0.1-25	AB
C	387	87-010-196-080	CHIP CAPACITOR,0.1-25	AB
C	384	87-010-196-080	CHIP CAPACITOR,0.1-25	AB
C	382	87-012-158-080	C-CAP,S 390P-50 CH	AB
C	402	87-010-196-080	CHIP CAPACITOR,0.1-25	AB
C	401	87-010-196-080	CHIP CAPACITOR,0.1-25	AB
C	404	87-010-319-080	C-CAP,S 56P-50 CH	AB
C	403	87-010-319-080	C-CAP,S 56P-50 CH	AB
C	405	87-010-319-080	C-CAP,S 56P-50 CH	AB
C	408	87-010-322-080	C-CAP,S 100P-50 CH	AB
C	407	87-010-322-080	C-CAP,S 100P-50 CH	AB
C	406	87-010-322-080	C-CAP,S 100P-50 CH	AB
C	702	87-A10-818-040	CAP,E 100-16 7LSRA SERIES	AB
C	701	87-A10-818-040	CAP,E 100-16 7LSRA SERIES	AB
CN	101	87-099-720-010	CONN,30P TYK-B(P)	AB
CN	104	87-A60-140-010	CONN,15P V FE	AB
CN	301	87-A60-131-010	CONN,6P V FE	AB
CN	302	87-A60-154-010	CONN,6P H FE	AB
CN	901	87-099-030-010	CONN,13P 6216H	AB
D	103	87-020-465-080	DIODE,1SS133 (110MA)	AB
D	108	87-020-465-080	DIODE,1SS133 (110MA)	AB
D	104	87-020-465-080	DIODE,1SS133 (110MA)	AB
D	101	87-020-465-080	DIODE,1SS133 (110MA)	AB
D	107	87-A40-270-080	C-DIODE,MC2838	AB
D	109	87-A40-509-080	ZENER,MTZJ6.8C	AB
D	111	87-020-465-080	DIODE,1SS133 (110MA)	AB
D	301	87-020-465-080	DIODE,1SS133 (110MA)	AB
D	306	87-020-465-080	DIODE,1SS133 (110MA)	AB
D	307	87-020-465-080	DIODE,1SS133 (110MA)	AB
D	303	87-020-465-080	DIODE,1SS133 (110MA)	AB
D	308	87-020-465-080	DIODE,1SS133 (110MA)	AB
D	305	87-020-465-080	DIODE,1SS133 (110MA)	AB
D	304	87-020-465-080	DIODE,1SS133 (110MA)	AB
D	302	87-020-465-080	DIODE,1SS133 (110MA)	AB
D	309	87-020-465-080	DIODE,1SS133 (110MA)	AB
D	313	87-020-465-080	DIODE,1SS133 (110MA)	AB
D	318	87-020-465-080	DIODE,1SS133 (110MA)	AB
D	315	87-020-465-080	DIODE,1SS133 (110MA)	AB
D	316	87-020-465-080	DIODE,1SS133 (110MA)	AB
D	310	87-020-465-080	DIODE,1SS133 (110MA)	AB
D	312	87-020-465-080	DIODE,1SS133 (110MA)	AB
D	314	87-020-465-080	DIODE,1SS133 (110MA)	AB
D	311	87-020-465-080	DIODE,1SS133 (110MA)	AB
D	320	87-020-465-080	DIODE,1SS133 (110MA)	AB
D	328	87-020-465-080	DIODE,1SS133 (110MA)	AB
D	327	87-020-465-080	DIODE,1SS133 (110MA)	AB
D	325	87-020-465-080	DIODE,1SS133 (110MA)	AB
D	385	87-017-932-080	ZENER,MTJ6.2B	AB
D	382	87-020-465-080	DIODE,1SS133 (110MA)	AB
D	383	87-020-465-080	DIODE,1SS133 (110MA)	AB
D	384	87-020-465-080	DIODE,1SS133 (110MA)	AB
D	381	87-020-465-080	DIODE,1SS133 (110MA)	AB
D	701	87-A40-269-080	C-DIODE,MC2836	AB
D	901	87-020-465-080	DIODE,1SS133 (110MA)	AB
FL	201	8Z-NF6-601-010	FL,BJ687GK-ZNF6	AB
IC	103	87-A20-951-010	IC,TSOP1838RF1	AB
IC	101	8Z-NF7-605-010	C-IC,LC876572W-****	AB
IC	380	87-A21-023-040	C-IC,BA3835F	AB
IC	401	87-A21-021-040	C-IC,BU2099FV	AB
IC	402	87-A21-021-040	C-IC,BU2099FV	AB
L	101	87-A50-333-010	COIL,OSC 9.43MHZ	AB
LED	293	87-A40-589-040	LED,SLR-56VCT31 RED	AB
LED	409	87-017-350-080	LED,SEL1550CM	AB
LED	406	87-017-350-080	LED,SEL1550CM	AB
LED	408	87-017-350-080	LED,SEL1550CM	AB
LED	407	87-017-350-080	LED,SEL1550CM	AB
LED	401	87-A40-317-080	LED,SLR-342VCT31 RED	AB
LED	403	87-A40-317-080	LED,SLR-342VCT31 RED	AB
LED	404	87-A40-317-080	LED,SLR-342VCT31 RED	AB
LED	405	87-A40-317-080	LED,SLR-342VCT31 RED	AB
LED	402	87-A40-317-080	LED,SLR-342VCT31 RED	AB
LED	414	87-017-350-080	LED,SEL1550CM	AB
LED	410	87-017-350-080	LED,SEL1550CM	AB
LED	411	87-017-350-080	LED,SEL1550CM	AB
LED	413	87-017-350-080	LED,SEL1550CM	AB
LED	412	87-017-350-080	LED,SEL1550CM	AB
LED	415	87-017-350-080	LED,SEL1550CM	AB
LED	417	87-A40-607-080	LED,SLR-56PTTB7 PG	AB
LED	416	87-A40-607-080	LED,SLR-56PTTB7 PG	AB
LED	418	87-A40-607-080	LED,SLR-56PTTB7 PG	AB
LED	419	87-A40-607-080	LED,SLR-56PTTB7 PG	AB
LED	420	87-A40-607-080	LED,SLR-56PTTB7 PG	AB
LED	421	87-A40-607-080	LED,SLR-56PTTB7 PG	AB
LED	434	87-A40-563-010	LED,SEL6515C-LF62 PGRN	AB
LED	433	87-A40-563-010	LED,SEL6515C-LF62 PGRN	AB
LED	435	87-A40-563-010	LED,SEL6515C-LF62 PGRN	AB
LED	436	87-A40-563-010	LED,SEL6515C-LF62 PGRN	AB
LED	440	87-A40-608-040	LED,SLV-312VC RED	AB

ELECTRICAL MAIN PARTS LIST - 3/9

LED	441	87-A40-608-040	LED,SLV-312VC RED	AB
LED	442	87-A40-608-040	LED,SLV-312VC RED	AB
LED	443	87-A40-609-040	LED,SLV-312MC PG	AB
LED	447	87-A40-609-040	LED,SLV-312MC PG	AB
LED	444	87-A40-609-040	LED,SLV-312MC PG	AB
LED	446	87-A40-609-040	LED,SLV-312MC PG	AB
LED	445	87-A40-609-040	LED,SLV-312MC PG	AB
LED	448	87-A40-609-040	LED,SLV-312MC PG	AB
LED	462	87-A40-564-010	LED,SEL6215S-LF62 RED	AB
LED	461	87-A40-564-010	LED,SEL6215S-LF62 RED	AB
LED	485	87-A40-619-040	LED,SLR-56PT-T31-W GRN	AB
LED	486	87-A40-619-040	LED,SLR-56PT-T31-W GRN	AB
LED	482	87-A40-619-040	LED,SLR-56PT-T31-W GRN	AB
LED	487	87-A40-619-040	LED,SLR-56PT-T31-W GRN	AB
LED	484	87-A40-619-040	LED,SLR-56PT-T31-W GRN	AB
LED	483	87-A40-619-040	LED,SLR-56PT-T31-W GRN	AB
LED	481	87-A40-619-040	LED,SLR-56PT-T31-W GRN	AB
LED	488	87-A40-619-040	LED,SLR-56PT-T31-W GRN	AB
Q	102	87-026-610-080	TR,KTC3198GR	AB
Q	108	87-A30-073-080	C-TR,RT1N 141C	AB
Q	101	87-A30-087-080	C-FET,2SK2158	AB
Q	104	87-A30-087-080	C-FET,2SK2158	AB
Q	103	87-A30-087-080	C-FET,2SK2158	AB
Q	262	87-A30-159-080	C-TR,KTA1298Y	AB
Q	301	87-A30-076-080	C-TR,2SC3052F	AB
Q	703	87-A30-159-080	C-TR,KTA1298Y	AB
Q	702	87-A30-159-080	C-TR,KTA1298Y	AB
Q	701	87-A30-240-080	TR,CSA1585BC	AB
R	209	87-012-157-080	C-CAP,S 330P-50 CH	AB
S	101	87-A90-535-010	SW,RTRY EC16B24304	AB
S	102	87-A90-982-010	SW,RTRY RE0121-30	AB
S	305	87-A91-024-080	SW,TACT KSH0611BT	AB
S	306	87-A91-024-080	SW,TACT KSH0611BT	AB
S	302	87-A91-024-080	SW,TACT KSH0611BT	AB
S	308	87-A91-024-080	SW,TACT KSH0611BT	AB
S	304	87-A91-024-080	SW,TACT KSH0611BT	AB
S	303	87-A91-024-080	SW,TACT KSH0611BT	AB
S	301	87-A91-024-080	SW,TACT KSH0611BT	AB
S	309	87-A91-024-080	SW,TACT KSH0611BT	AB
S	310	87-A91-024-080	SW,TACT KSH0611BT	AB
S	314	87-A91-024-080	SW,TACT KSH0611BT	AB
S	311	87-A91-024-080	SW,TACT KSH0611BT	AB
S	313	87-A91-024-080	SW,TACT KSH0611BT	AB
S	312	87-A91-024-080	SW,TACT KSH0611BT	AB
S	315	87-A91-024-080	SW,TACT KSH0611BT	AB
S	324	87-A91-024-080	SW,TACT KSH0611BT	AB
S	326	87-A91-024-080	SW,TACT KSH0611BT	AB
S	327	87-A91-024-080	SW,TACT KSH0611BT	AB
S	323	87-A91-024-080	SW,TACT KSH0611BT	AB
S	328	87-A91-024-080	SW,TACT KSH0611BT	AB
S	325	87-A91-024-080	SW,TACT KSH0611BT	AB
S	321	87-A91-024-080	SW,TACT KSH0611BT	AB
S	322	87-A91-024-080	SW,TACT KSH0611BT	AB
S	329	87-A91-024-080	SW,TACT KSH0611BT	AB
S	335	87-A91-024-080	SW,TACT KSH0611BT	AB
S	333	87-A91-024-080	SW,TACT KSH0611BT	AB
S	334	87-A91-024-080	SW,TACT KSH0611BT	AB
S	332	87-A91-024-080	SW,TACT KSH0611BT	AB
S	344	87-A91-024-080	SW,TACT KSH0611BT	AB
S	346	87-A91-024-080	SW,TACT KSH0611BT	AB
S	347	87-A91-024-080	SW,TACT KSH0611BT	AB
S	343	87-A91-024-080	SW,TACT KSH0611BT	AB
S	348	87-A91-024-080	SW,TACT KSH0611BT	AB
S	345	87-A91-024-080	SW,TACT KSH0611BT	AB
S	341	87-A91-024-080	SW,TACT KSH0611BT	AB
S	342	87-A91-024-080	SW,TACT KSH0611BT	AB
S	349	87-A91-024-080	SW,TACT KSH0611BT	AB
S	351	87-A91-024-080	SW,TACT KSH0611BT	AB
S	350	87-A91-024-080	SW,TACT KSH0611BT	AB
S	354	87-A91-024-080	SW,TACT KSH0611BT	AB
S	353	87-A91-024-080	SW,TACT KSH0611BT	AB
S	352	87-A91-024-080	SW,TACT KSH0611BT	AB
S	355	87-A91-024-080	SW,TACT KSH0611BT	AB
C	802	87-010-176-080	C-CAP,S 680P-50 SL	AB
C	803	87-010-187-080	CAP CHIP S5600P	AB
C	807	87-010-196-080	CHIP CAPACITOR,0.1-25	AB
C	804	87-010-213-080	C-CAP,S 0.015-50 B	AB
C	806	87-010-401-040	CAP,E 1-50 SME	AB
C	809	87-012-155-080	C-CAP 180P-50CH	AB
C	801	87-012-156-080	C-CAP,S 220P-50 CH	AB
C	810	87-010-263-040	CAP,E 100-10	AB
C	811	87-010-382-080	CAP, ELECT 22-25V	AB
C	812	87-010-405-040	CAP,E 10-50	AB
D	801	87-017-931-080	ZENER,MTZJ5.6B	AB
IC	801	87-A21-051-040	C-IC,BU9990-03FS	AB
L	801	87-A50-093-010	COIL,CLOCK 5.76MHZ	AB
C	307	87-010-196-080	CHIP CAPACITOR,0.1-25	AB
C	309	87-010-196-080	CHIP CAPACITOR,0.1-25	AB
C	301	87-010-318-080	C-CAP,S 47P-50 CH	AB
C	302	87-010-318-080	C-CAP,S 47P-50 CH	AB
C	306	87-012-145-080	CAP, CHIP S 270P CH	AB
C	305	87-012-145-080	CAP, CHIP S 270P CH	AB

ELECTRICAL MAIN PARTS LIST - 4/9

C	303	87-012-157-080	C-CAP,S 330P-50 CH	AB
C	306	87-012-157-080	C-CAP,S 330P-50 CH	AB
C	305	87-012-157-080	C-CAP,S 330P-50 CH	AB
C	304	87-012-157-080	C-CAP,S 330P-50 CH	AB
C	313	87-010-178-080	CHIP CAP 1000P	AB
C	314	87-010-178-080	CHIP CAP 1000P	AB
C	315	87-010-178-080	CHIP CAP 1000P	AB
C	316	87-010-178-080	CHIP CAP 1000P	AB
C	314	87-010-179-080	CAP,CHIP S B1200P	AB
C	313	87-010-179-080	CAP,CHIP S B1200P	AB
C	310	87-010-196-080	CHIP CAPACITOR,0.1-25	AB
C	312	87-010-198-080	CAP, CHIP 0.022	AB
C	311	87-010-198-080	CAP, CHIP 0.022	AB
C	319	87-012-141-080	CHIP-CAPACITOR,0.22-16F	AB
C	317	87-012-142-080	CAP, S 0.33-16	AB
C	318	87-012-142-080	CAP, S 0.33-16	AB
C	324	87-010-260-080	CAP, ELECT 47-25V	AB
C	325	87-010-370-080	CAP,E 330-6.3 SME	AB
C	328	87-010-404-080	CAP, ELECT 4.7-50V	AB
C	327	87-010-404-080	CAP, ELECT 4.7-50V	AB
C	320	87-012-141-080	CHIP-CAPACITOR,0.22-16F	AB
C	321	87-012-142-080	CAP, S 0.33-16	AB
C	322	87-012-142-080	CAP, S 0.33-16	AB
C	337	87-010-196-080	CHIP CAPACITOR,0.1-25	AB
C	339	87-010-196-080	CHIP CAPACITOR,0.1-25	AB
C	332	87-010-196-080	CHIP CAPACITOR,0.1-25	AB
C	335	87-010-401-080	CAP, ELECT 1-50V	AB
C	336	87-010-401-080	CAP, ELECT 1-50V	AB
C	340	87-010-196-080	CHIP CAPACITOR,0.1-25	AB
C	354	87-010-175-080	CAP 560P	AB
C	359	87-010-183-080	C-CAP,S 2700P-50 B	AB
C	358	87-010-183-080	C-CAP,S 2700P-50 B	AB
C	357	87-010-197-080	CAP, CHIP 0.01 DM	AB
C	356	87-010-260-080	CAP, ELECT 47-25V	AB
C	351	87-012-140-080	CAP 470P	AB
C	352	87-012-140-080	CAP 470P	AB
C	355	87-012-349-080	C-CAP,S 1000P-50 CH	AB
C	360	87-010-183-080	C-CAP,S 2700P-50 B	AB
C	363	87-A10-292-080	CAP,M 5600P-50 J	AB
C	372	87-010-175-080	CAP 560P	AB
C	371	87-010-175-080	CAP 560P	AB
C	373	87-010-179-080	CAP,CHIP S B1200P	AB
C	374	87-010-179-080	CAP,CHIP S B1200P	AB
C	370	87-010-196-080	CHIP CAPACITOR,0.1-25	AB
C	378	87-010-196-080	CHIP CAPACITOR,0.1-25	AB
C	379	87-010-382-080	CAP, ELECT 22-25V	AB
C	375	87-010-545-080	CAP, ELECT 0.22-50V	AB
C	376	87-010-545-080	CAP, ELECT 0.22-50V	AB
C	373	87-016-083-080	C-CAP,S 0.15-16 RK	AB
C	374	87-016-083-080	C-CAP,S 0.15-16 RK	AB
C	385	87-010-184-080	CHIP CAPACITOR 3300P(K)	AB
C	386	87-010-196-080	CHIP CAPACITOR,0.1-25	AB
C	381	87-010-197-080	CAP, CHIP 0.01 DM	AB
C	383	87-010-197-080	CAP, CHIP 0.01 DM	AB
C	382	87-010-312-080	C-CAP,S 15P-50 CH	AB
C	382	87-010-318-080	C-CAP,S 47P-50 CH	AB
C	380	87-010-382-080	CAP, ELECT 22-25V	AB
C	384	87-010-402-080	CAP, ELECT 2.2-50V	AB
C	387	87-012-145-080	CAP, CHIP S 270P CH	AB
C	388	87-012-156-080	C-CAP,S 220P-50 CH	AB
C	394	87-010-319-080	C-CAP,S 56P-50 CH	AB
C	393	87-010-319-080	C-CAP,S 56P-50 CH	AB
C	392	87-010-319-080	C-CAP,S 56P-50 CH	AB
C	391	87-010-319-080	C-CAP,S 56P-50 CH	AB
C	393	87-012-145-080	CAP, CHIP S 270P CH	AB
C	391	87-012-145-080	CAP, CHIP S 270P CH	AB
C	392	87-012-145-080	CAP, CHIP S 270P CH	AB
C	394	87-012-145-080	CAP, CHIP S 270P CH	AB
CN	301	87-099-827-010	CONN,3P S2M-3W	AB
CN	351	87-099-832-010	CONN,8P S2M-8W	AB
D	352	87-A40-269-080	C-DIODE,MC2836	AB
FB	301	87-008-372-080	FILTER, EMI BL OIRNI	AB
IC	302	87-A20-355-010	IC,CXA1553P	AB
IC	303	87-A20-783-040	C-IC,BA7762AFS	AB
L	302	87-A50-049-010	COIL,TRAP 85K(COI)	AB
L	301	87-A50-049-010	COIL,TRAP 85K(COI)	AB
L	351	87-007-342-010	COIL,OSC 85K BIAS	AB
Q	357	87-026-610-080	TR,KTC3198GR	AB
Q	358	87-026-610-080	TR,KTC3198GR	AB
Q	359	87-026-610-080	TR,KTC3198GR	AB
Q	356	87-A30-076-080	C-TR,2SC3052F	AB
Q	354	87-A30-087-080	C-FET,2SK2158	AB
Q	351	87-A30-087-080	C-FET,2SK2158	AB
Q	353	87-A30-087-080	C-FET,2SK2158	AB
Q	355	87-A30-105-080	C-TR,RT1P 441C	AB
Q	383	87-A30-075-080	C-TR,2SA1235F	AB
Q	381	87-A30-076-080	C-TR,2SC3052F	AB
Q	382	87-A30-076-080	C-TR,2SC3052F	AB
SFR	305	87-A90-433-080	SFR,50K H NVZ6TLTA	AB
SFR	306	87-A90-433-080	SFR,50K H NVZ6TLTA	AB
SFR	302	87-A90-557-080	SFR,33K H HOKU	AB
SFR	304	87-A90-557-080	SFR,33K H HOKU	AB

ELECTRICAL MAIN PARTS LIST - 5/9

SFR	303	87-A90-557-080	SFR, 33K H HOKU
SFR	301	87-A90-557-080	SFR, 33K H HOKU
SFR	351	87-A90-433-080	SFR, 50K H NVZ6TLTA	AB
SFR	352	87-A90-433-080	SFR, 50K H NVZ6TLTA	AB
C	407	87-010-188-080	CAP, CHIP 6800P	AB
C	408	87-010-188-080	CAP, CHIP 6800P	AB
C	401	87-010-196-080	CHIP CAPACITOR, 0.1-25	AB
C	402	87-010-260-080	CAP, ELECT 47-25V	AB
C	404	87-010-404-080	CAP, ELECT 4.7-50V	AB
C	406	87-010-404-080	CAP, ELECT 4.7-50V	AB
C	405	87-010-404-080	CAP, ELECT 4.7-50V	AB
C	403	87-010-404-080	CAP, ELECT 4.7-50V	AB
C	409	87-012-140-080	CAP 470P	AB
C	415	87-010-197-080	CAP, CHIP 0.01 DM	AB
C	416	87-010-197-080	CAP, CHIP 0.01 DM	AB
C	419	87-010-260-080	CAP, ELECT 47-25V	AB
C	412	87-010-404-080	CAP, ELECT 4.7-50V	AB
C	414	87-010-404-080	CAP, ELECT 4.7-50V	AB
C	411	87-010-404-080	CAP, ELECT 4.7-50V	AB
C	413	87-010-404-080	CAP, ELECT 4.7-50V	AB
C	417	87-010-956-080	CHIP-CAP,S 0.068-25B	AB
C	418	87-010-956-080	CHIP-CAP,S 0.068-25B	AB
C	410	87-012-140-080	CAP 470P	AB
D	402	87-020-465-080	DIODE, 1SS133 (110MA)	AB
D	401	87-A40-269-080	C-DIODE, MC2836	AB
IC	401	87-A21-022-040	C-IC, BA3880FS	AB
C	457	87-010-196-080	CHIP CAPACITOR, 0.1-25	AB
C	458	87-010-196-080	CHIP CAPACITOR, 0.1-25	AB
C	452	87-010-401-080	CAP, ELECT 1-50V	AB
C	451	87-010-401-080	CAP, ELECT 1-50V	AB
C	454	87-010-545-080	CAP, ELECT 0.22-50V	A
C	453	87-010-545-080	CAP, ELECT 0.22-50V	A
C	455	87-010-546-080	CAP, ELECT 0.33-50V	A
C	456	87-010-546-080	CAP, ELECT 0.33-50V	A
C	459	87-A10-301-080	CAP, M 0.033-50 J	A
C	455	87-A10-305-080	CAP, M 0.068-50 J	.B
C	456	87-A10-305-080	CAP, M 0.068-50 J	.B
C	453	87-A11-012-080	CAP, M 0.15-50 J DE	.B
C	454	87-A11-012-080	CAP, M 0.15-50 J DE	.B
C	465	87-A10-298-080	CAP, M 0.018-50 J	.B
C	466	87-A10-298-080	CAP, M 0.018-50 J	.B
C	460	87-A10-300-080	CAP, M 0.027-50 J	.B
C	460	87-A10-301-080	CAP, M 0.033-50 J	A
C	466	87-A10-303-080	CAP, M 0.047-50 J	A
C	465	87-A10-303-080	CAP, M 0.047-50 J	A
C	4569	87-A10-300-080	CAP, M 0.027-50 J	.B
IC	451	87-A21-031-040	C-IC, BU4551BF	AB
		87-067-579-010	TAPPING SCREW, BVT2+3-8	AB
C	4	87-012-368-080	C-CAP, S 0.1-50 F	AB
C	6	87-012-368-080	C-CAP, S 0.1-50 F	AB
C	5	87-012-368-080	C-CAP, S 0.1-50 F	AB
C	3	87-012-368-080	C-CAP, S 0.1-50 F	AB
C	2	87-012-369-080	C-CAP, S 0.047-50F	AB
C	1	87-012-369-080	C-CAP, S 0.047-50F	AB
C	9	87-016-658-090	CAP, E 4700-35 SMG	AB
C	10	87-016-658-090	CAP, E 4700-35 SMG	AB
C	29	87-010-247-080	CAP, ELECT 100-50V	AB
C	26	87-010-263-080	CAP, ELECT 100-10V	AB
C	28	87-010-263-080	CAP, ELECT 100-10V	.B
C	21	87-010-385-080	CAP, ELECT 220-25V	AB
C	22	87-010-385-080	CAP, ELECT 220-25V	AB
C	23	87-010-385-080	CAP, ELECT 220-25V	AB
C	24	87-010-385-080	CAP, ELECT 220-25V	AB
C	25	87-010-430-080	CAP, ELECT 100-63	AB
C	27	87-012-140-080	CAP 470P	AB
C	30	87-010-112-080	CAP, ELECT 100-16V	AB
C	31	87-010-235-080	CAP, E 470-16 SME	AB
C	61	87-010-260-080	CAP, ELECT 47-25V	AB
C	62	87-010-496-080	CAP, E 3.3-50 5L	AB
C	92	87-010-263-080	CAP, ELECT 100-10V	AB
C	93	87-010-380-080	CAP, ELECT 47-16V	AB
C	91	87-010-401-080	CAP, ELECT 1-50V	AB
CN	1	87-A60-739-010	CONN, 13P JL-BT	AB
CN	91	87-A60-109-010	CONN, 2P V S2M-2W	AB
CNA	1	8Z-NF8-669-010	CONN ASSY, 9P VH	AB
D	9	87-020-465-080	DIODE, 1SS133 (110MA)	AB
D	8	87-020-465-080	DIODE, 1SS133 (110MA)	AB
D	6	87-070-274-080	DIODE, 1N4003 SEM	AB
D	5	87-070-274-080	DIODE, 1N4003 SEM	AB
D	4	87-070-274-080	DIODE, 1N4003 SEM	AB
D	3	87-070-274-080	DIODE, 1N4003 SEM	AB
D	7	87-A40-341-080	ZENER, MTZJ 36 A	AB
D	1	87-A40-549-090	DIODE, RBA-1002	AB
D	10	87-A40-345-080	ZENER, MTZJ10C	AB
D	64	87-070-274-080	DIODE, 1N4003 SEM	AB
D	63	87-A40-004-080	ZENER, MTZJ16A	AB
D	62	87-A40-269-080	C-DIODE, MC2836	AB
D	61	87-A40-270-080	C-DIODE, MC2838	AB
D	91	87-020-465-080	DIODE, 1SS133 (110MA)	AB
D	92	87-020-465-080	DIODE, 1SS133 (110MA)	AB
Q	2	87-026-609-080	TR, KTA1266GR	AB
Q	1	87-026-609-080	TR, KTA1266GR	AB

ELECTRICAL MAIN PARTS LIST - 6/9

O	5	87-026-610-080	TR, KTC3198GR	AB
O	8	87-A30-075-080	C-TR, 2SA1235F	AB
O	7	87-A30-075-080	C-TR, 2SA1235F	.B
O	6	87-A30-076-080	C-TR, 2SC3052F	AB
O	9	87-A30-234-080	TR, CSC4115BC	AB
O	66	87-A30-075-080	C-TR, 2SA1235F	AB
O	64	87-A30-075-080	C-TR, 2SA1235F	AB
O	65	87-A30-076-080	C-TR, 2SC3052F	AB
O	63	87-A30-076-080	C-TR, 2SC3052F	AB
O	67	87-A30-076-080	C-TR, 2SC3052F	AB
O	92	87-026-609-080	TR, KTA1266GR	AB
O	91	87-A30-076-080	C-TR, 2SC3052F	AB
R	20	87-A00-261-080	RES, M/F 0.56-1W J	.B
WH	1	87-A90-510-010	HLDR, WIRE 2.5-9P	AB
C	101	87-010-178-080	CHIP CAP 1000P	AB
C	102	87-010-178-080	CHIP CAP 1000P	AB
C	124	87-010-176-080	C-CAP, S 680P-50 SL	..
C	123	87-010-176-080	C-CAP, S 680P-50 SL	..
C	129	87-010-191-080	C-CAP, S 0.015-50 F	..
C	126	87-012-368-080	C-CAP, S 0.1-50 F	AB
C	127	87-012-368-080	C-CAP, S 0.1-50 F	AB
C	128	87-012-368-080	C-CAP, S 0.1-50 F	AB
C	125	87-012-368-080	C-CAP, S 0.1-50 F	AB
C	130	87-010-191-080	C-CAP, S 0.015-50 F	..
L	101	87-003-383-010	COIL, 1UH-S	AB
L	102	87-003-383-010	COIL, 1UH-S	AB
O	101	87-A30-257-080	C-TR, 2SD1306E	AB
O	102	87-A30-257-080	C-TR, 2SD1306E	AB
O	127	87-A30-075-080	C-TR, 2SA1235F	AB
R	146	87-A00-441-050	RES, 270-1/2W J RP	.B
R	145	87-A00-441-050	RES, 270-1/2W J RP	.B
R	144	87-A00-441-050	RES, 270-1/2W J RP	.B
R	143	87-A00-441-050	RES, 270-1/2W J RP	.B
R	144	87-A00-442-050	RES, 330-1/2W J RP	A.
R	145	87-A00-442-050	RES, 330-1/2W J RP	A.
R	143	87-A00-442-050	RES, 330-1/2W J RP	A.
R	146	87-A00-442-050	RES, 330-1/2W J RP	A.
C	203	87-010-177-080	C-CAP, S 820P-50 SL	A.
C	204	87-010-177-080	C-CAP, S 820P-50 SL	A.
C	209	87-010-403-080	CAP, ELECT 3.3-50V	AB
C	204	87-012-140-080	CAP 470P	.B
C	203	87-012-140-080	CAP 470P	.B
C	210	87-010-403-080	CAP, ELECT 3.3-50V	AB
C	229	87-010-993-080	C-CAP, S 0.056-25 B	AB
C	234	87-010-190-080	S CHIP F 0.01	..
C	233	87-010-190-080	S CHIP F 0.01	..
C	232	87-010-196-080	CHIP CAPACITOR, 0.1-25	AB
C	231	87-010-196-080	CHIP CAPACITOR, 0.1-25	AB
C	237	87-010-322-080	C-CAP, S 100P-50 CH	..
C	238	87-010-322-080	C-CAP, S 100P-50 CH	..
C	230	87-010-993-080	C-CAP, S 0.056-25 B	AB
C	235	87-016-285-080	CAP, E 47-100SME	AB
C	236	87-016-285-080	CAP, E 47-100SME	AB
C	256	87-010-196-080	CHIP CAPACITOR, 0.1-25	AB
C	254	87-010-196-080	CHIP CAPACITOR, 0.1-25	AB
CN	201	87-A60-739-010	CONN, 13P JL-BT	AB
D	212	87-020-465-080	DIODE, 1SS133 (110MA)	AB
D	213	87-020-465-080	DIODE, 1SS133 (110MA)	AB
J	203	87-033-240-010	TERMINAL, SP 4P32SV1-05	AB
J	201	87-A60-483-010	JACK, DIA 6.3 BLK ST W/S KM	AB
J	204	87-A60-750-010	JACK, PIN 4P R/W BLUE	AB
L	202	87-003-383-010	COIL, 1UH-S	AB
L	201	87-003-383-010	COIL, 1UH-S	AB
O	202	87-A30-257-080	C-TR, 2SD1306E	AB
O	201	87-A30-257-080	C-TR, 2SD1306E	AB
O	221	87-A30-073-080	C-TR, RT1N 141C	AB
RY	201	87-045-382-010	RELAY, OUAZ-SH-112L	AB
C	601	87-010-183-080	C-CAP, S 2700P-50 B	AB
C	602	87-010-183-080	C-CAP, S 2700P-50 B	AB
C	619	87-010-185-080	C-CAP, S 3900P-50 B	AB
C	611	87-010-197-080	CAP, CHIP 0.01 DM	AB
C	612	87-010-322-080	C-CAP, S 100P-50 CH	AB
C	613	87-016-081-080	C-CAP, S 0.1-16 RK	AB
C	614	87-016-081-080	C-CAP, S 0.1-16 RK	AB
C	620	87-010-185-080	C-CAP, S 3900P-50 B	AB
C	627	87-010-196-080	CHIP CAPACITOR, 0.1-25	AB
C	628	87-010-322-080	C-CAP, S 100P-50 CH	AB
C	622	87-010-401-080	CAP, ELECT 1-50V	AB
C	621	87-010-401-080	CAP, ELECT 1-50V	AB
C	625	87-010-401-080	CAP, ELECT 1-50V	AB
C	626	87-010-401-080	CAP, ELECT 1-50V	AB
C	629	87-010-405-080	CAP, ELECT 10-50V	AB
C	624	87-A10-773-080	CAP, M 0.10-50 J	AB
C	623	87-A10-773-080	CAP, M 0.10-50 J	AB
C	637	87-010-183-080	C-CAP, S 2700P-50 B	AB
C	634	87-010-196-080	CHIP CAPACITOR, 0.1-25	AB
C	635	87-010-196-080	CHIP CAPACITOR, 0.1-25	AB
C	630	87-010-213-080	C-CAP, S 0.015-50 B	AB
C	632	87-010-263-080	CAP, ELECT 100-10V	AB
C	633	87-010-263-080	CAP, ELECT 100-10V	AB
C	636	87-010-992-080	C-CAP, S 0.047-25 B	AB
C	631	87-010-992-080	C-CAP, S 0.047-25 B	AB

ELECTRICAL MAIN PARTS LIST - 7/9

C	641	87-010-196-080	CHIP CAPACITOR,0.1-25	AB
C	640	87-010-314-080	C-CAP,S 22P-50V	AB
C	669	87-010-322-080	C-CAP,S 100P-50 CH	AB
C	672	87-010-322-080	C-CAP,S 100P-50 CH	AB
C	671	87-010-322-080	C-CAP,S 100P-50 CH	AB
C	670	87-010-322-080	C-CAP,S 100P-50 CH	AB
CN	604	87-099-570-010	CONN,13P TUC-P13P-B1	AB
CN	601	87-099-719-010	CONN,30P TYK-B(X)	AB
CN	602	87-A60-131-010	CONN,6P V FE	AB
CN	605	87-A60-189-010	CONN,16P V TUC-P16P-B1	AB
D	601	87-A40-002-080	ZENER,MTZJ5.1C	AB
D	603	87-A40-234-080	ZENER,MTZJ5.6A	AB
D	602	87-A40-438-080	ZENER,MTZJ4.7A	AB
IC	601	87-A21-202-040	C-IC,M62445AFP	AB
J	601	87-A60-402-010	JACK,PIN 6P R/W HSP-246V30	AB
QO	604	87-026-444-080	C-TR,DTA123EK	AB
QO	601	87-026-609-080	TR,KTA1266GR	AB
QO	603	87-A30-087-080	C-FET,2SK2158	AB
QO	602	87-A30-269-040	C-FET,2SJ461-T1	AB
C	707	87-010-180-080	C-CER 1500P	AB
C	702	87-010-196-080	CHIP CAPACITOR,0.1-25	AB
C	706	87-010-197-080	CAP,CHIP 0.01 DM	AB
C	708	87-010-213-080	C-CAP,S 0.015-50 B	AB
C	709	87-010-213-080	C-CAP,S 0.015-50 B	AB
C	701	87-010-263-080	CAP,ELECT 100-10V	AB
C	704	87-010-319-080	C-CAP,S 56P-50 CH	AB
C	703	87-010-319-080	C-CAP,S 56P-50 CH	AB
C	705	87-012-393-080	C-CAP,S 0.22-16 R K	AB
C	711	87-010-181-080	CAP,CHIP S 1800P	AB
C	718	87-010-183-080	C-CAP,S 2700P-50 B	AB
C	717	87-010-183-080	C-CAP,S 2700P-50 B	AB
C	712	87-010-196-080	CHIP CAPACITOR,0.1-25	AB
C	710	87-010-197-080	CAP,CHIP 0.01 DM	AB
C	714	87-010-374-080	CAP,ELECT 47-10V	AB
C	716	87-010-494-080	CAP ELECT GAS 1/50	AB
C	715	87-010-494-080	CAP ELECT GAS 1/50	AB
C	713	87-010-544-080	CAP,ELECT 0.1-50V	AB
C	735	87-010-178-080	CHIP CAP 1000P	AB
C	736	87-010-196-080	CHIP CAPACITOR,0.1-25	AB
C	732	87-010-196-080	CHIP CAPACITOR,0.1-25	AB
C	733	87-010-196-080	CHIP CAPACITOR,0.1-25	AB
C	738	87-010-318-080	C-CAP,S 47P-50 CH	AB
C	731	87-010-560-080	CAP,E 10-50 GAS	AB
C	734	87-012-156-080	C-CAP,S 220P-50 CH	AB
D	701	87-017-931-080	ZENER,MTZJ5.6B	AB
IC	701	87-A20-613-040	C-IC,BU9262AFS	AB
L	701	87-005-448-080	COIL 220UH,K	AB
QO	732	87-A30-075-080	C-TR,2SA1235F	AB
QO	731	87-A30-076-080	C-TR,2SC3052F	AB
C	209	87-010-322-080	C-CAP,S 100P-50 CH	AB
C	203	87-010-405-080	CAP,ELECT 10-50V	AB
C	204	87-010-405-080	CAP,ELECT 10-50V	AB
C	203	87-010-408-080	CAP,ELECT 47-50V	AB
C	207	87-010-408-080	CAP,ELECT 47-50V	AB
C	208	87-010-408-080	CAP,ELECT 47-50V	AB
C	204	87-010-408-080	CAP,ELECT 47-50V	AB
C	212	87-010-260-080	CAP,ELECT 47-25V	AB
C	211	87-010-260-080	CAP,ELECT 47-25V	AB
C	210	87-010-322-080	C-CAP,S 100P-50 CH	AB
C	219	87-012-368-080	C-CAP,S 0.1-50 F	AB
C	213	87-A10-812-080	C-CAP,S 220P-200 J CH	AB
C	214	87-A10-812-080	C-CAP,S 220P-200 J CH	AB
C	221	87-010-178-080	CHIP CAP 1000P	AB
C	222	87-010-178-080	CHIP CAP 1000P	AB
C	220	87-012-368-080	C-CAP,S 0.1-50 F	AB
C	299	87-010-197-080	CAP,CHIP 0.01 DM	AB
C	305	87-010-185-080	C-CAP,S 3900P-50 B	AB
C	306	87-010-185-080	C-CAP,S 3900P-50 B	AB
C	309	87-010-322-080	C-CAP,S 100P-50 CH	AB
C	307	87-010-403-080	CAP,ELECT 3.3-50V	AB
C	304	87-010-403-080	CAP,ELECT 3.3-50V	AB
C	308	87-010-403-080	CAP,ELECT 3.3-50V	AB
C	303	87-010-403-080	CAP,ELECT 3.3-50V	AB
C	313	87-010-260-080	CAP,ELECT 47-25V	AB
C	314	87-010-260-080	CAP,ELECT 47-25V	AB
C	310	87-010-322-080	C-CAP,S 100P-50 CH	AB
C	319	87-012-368-080	C-CAP,S 0.1-50 F	AB
C	312	87-A10-946-080	C-CAP,S 220P-100 J CH	AB
C	311	87-A10-946-080	C-CAP,S 220P-100 J CH	AB
C	322	87-010-186-080	CAP,CHIP 4700P	AB
C	321	87-010-186-080	CAP,CHIP 4700P	AB
C	320	87-012-368-080	C-CAP,S 0.1-50 F	AB
C	502	87-012-368-080	C-CAP,S 0.1-50 F	AB
C	501	87-016-299-080	CAP,E 10-100 SME	AB
C	503	87-016-299-080	CAP,E 10-100 SME	AB
CN	102	87-A60-727-010	CONN,13P JL-R	AB
CN	101	87-A60-727-010	CONN,13P JL-R	AB
D	205	87-020-465-080	DIODE,1SS133 (110MA)	AB
D	206	87-020-465-080	DIODE,1SS133 (110MA)	AB
D	201	87-020-465-080	DIODE,1SS133 (110MA)	AB
D	202	87-020-465-080	DIODE,1SS133 (110MA)	AB
D	209	87-020-465-080	DIODE,1SS133 (110MA)	AB

ELECTRICAL MAIN PARTS LIST - 8/9

D	208	87-A40-488-080	DIODE, 1SS244	AB
D	207	87-A40-488-080	DIODE, 1SS244	AB
D	212	87-020-331-080	CHIP-DIODE, DAN202K	AB
D	210	87-020-465-080	DIODE, 1SS133 (110MA)	AB
D	296	87-020-465-080	DIODE, 1SS133 (110MA)	AB
D	298	87-020-465-080	DIODE, 1SS133 (110MA)	AB
D	297	87-020-465-080	DIODE, 1SS133 (110MA)	AB
D	295	87-020-465-080	DIODE, 1SS133 (110MA)	AB
D	299	87-020-465-080	DIODE, 1SS133 (110MA)	AB
D	306	87-020-465-080	DIODE, 1SS133 (110MA)	AB
D	302	87-020-465-080	DIODE, 1SS133 (110MA)	AB
D	305	87-020-465-080	DIODE, 1SS133 (110MA)	AB
D	301	87-020-465-080	DIODE, 1SS133 (110MA)	AB
D	309	87-A40-488-080	DIODE, 1SS244	AB
D	312	87-020-331-080	CHIP-DIODE, DAN202K	AB
D	310	87-A40-488-080	DIODE, 1SS244	AB
D	501	87-070-136-080	ZENER, MTZJ5.1B	AB
D	502	87-070-136-080	ZENER, MTZJ5.1B	AB
D	506	87-A40-183-090	DIODE, RK36 (F)	AB
D	505	87-A40-183-090	DIODE, RK36 (F)	AB
D	503	87-A40-345-080	ZENER, MTZJ10C	AB
D	509	87-A40-345-080	ZENER, MTZJ10C	AB
D	510	87-020-465-080	DIODE, 1SS133 (110MA)	AB
D	511	87-020-465-080	DIODE, 1SS133 (110MA)	AB
D	512	87-020-465-080	DIODE, 1SS133 (110MA)	AB
D	513	87-020-465-080	DIODE, 1SS133 (110MA)	AB
D	514	87-020-465-080	DIODE, 1SS133 (110MA)	AB
Q	101	89-213-702-010	TR, 2SB1370 (1.8W)	AB
Q	102	89-213-702-010	TR, 2SB1370 (1.8W)	AB
Q	206	87-A30-076-080	C-TR, 2SC3052F	AB
Q	204	87-A30-076-080	C-TR, 2SC3052F	AB
Q	203	87-A30-076-080	C-TR, 2SC3052F	AB
Q	205	87-A30-076-080	C-TR, 2SC3052F	AB
Q	209	87-A30-190-080	TR, CC5551	AB
Q	208	87-A30-268-040	C-TR, 2SA1514K(S)	AB
Q	202	87-A30-268-040	C-TR, 2SA1514K(S)	AB
Q	201	87-A30-268-040	C-TR, 2SA1514K(S)	AB
Q	207	87-A30-268-040	C-TR, 2SA1514K(S)	AB
Q	219	87-A30-097-010	TR, FN 1016	A
Q	214	87-A30-098-010	TR, FP 1016	A
Q	213	87-A30-098-010	TR, FP 1016	A
Q	219	87-A30-137-010	TR, 2SD2494	.B
Q	213	87-A30-138-010	TR, 2SB1625	.B
Q	214	87-A30-138-010	TR, 2SB1625	.B
Q	210	87-A30-190-080	TR, CC5551	AB
Q	223	87-A30-076-080	C-TR, 2SC3052F	AB
Q	226	87-A30-076-080	C-TR, 2SC3052F	AB
Q	225	87-A30-076-080	C-TR, 2SC3052F	AB
Q	224	87-A30-076-080	C-TR, 2SC3052F	AB
Q	220	87-A30-097-010	TR, FN 1016	A
Q	222	87-A30-106-070	C-TR, CMBT5551	AB
Q	221	87-A30-106-070	C-TR, CMBT5551	AB
Q	220	87-A30-137-010	TR, 2SD2494	.B
Q	298	87-A30-268-040	C-TR, 2SA1514K(S)	AB
Q	301	87-A30-075-080	C-TR, 2SA1235F	AB
Q	302	87-A30-075-080	C-TR, 2SA1235F	AB
Q	308	87-A30-075-080	C-TR, 2SA1235F	AB
Q	307	87-A30-075-080	C-TR, 2SA1235F	AB
Q	306	87-A30-076-080	C-TR, 2SC3052F	AB
Q	305	87-A30-076-080	C-TR, 2SC3052F	AB
Q	304	87-A30-076-080	C-TR, 2SC3052F	AB
Q	303	87-A30-076-080	C-TR, 2SC3052F	AB
Q	317	87-A30-119-080	C-TR, 2SC3906K R	AB
Q	318	87-A30-119-080	C-TR, 2SC3906K R	AB
Q	312	87-A30-190-080	TR, CC5551	AB
Q	311	87-A30-190-080	TR, CC5551	AB
Q	313	87-A30-255-010	TR, 2SB1342	AB
Q	314	87-A30-255-010	TR, 2SB1342	AB
Q	316	87-A30-256-010	TR, 2SD1933	AB
Q	315	87-A30-256-010	TR, 2SD1933	AB
Q	326	87-A30-076-080	C-TR, 2SC3052F	AB
Q	324	87-A30-076-080	C-TR, 2SC3052F	AB
Q	325	87-A30-076-080	C-TR, 2SC3052F	AB
Q	323	87-A30-076-080	C-TR, 2SC3052F	AB
Q	503	87-A30-072-080	C-TR, RT1P 144C	AB
Q	506	87-A30-074-080	C-TR, RT1P 141C	AB
Q	505	87-A30-075-080	C-TR, 2SA1235F	AB
Q	504	87-A30-076-080	C-TR, 2SC3052F	AB
Q	501	87-A30-162-010	FET, 2SK2937	AB
Q	502	87-A30-162-010	FET, 2SK2937	AB
Q	507	87-A30-268-040	C-TR, 2SA1514K(S)	AB
R	226	87-A00-262-080	RES, M/F 0.15-2W J	AB
R	225	87-A00-262-080	RES, M/F 0.15-2W J	AB
R	228	87-A00-262-080	RES, M/F 0.15-2W J	AB
R	227	87-A00-262-080	RES, M/F 0.15-2W J	AB
R	239	87-A00-262-080	RES, M/F 0.15-2W J	AB
R	242	87-A00-262-080	RES, M/F 0.15-2W J	AB
R	326	87-A00-258-080	RES, M/F 0.22-1W J	AB
R	325	87-A00-258-080	RES, M/F 0.22-1W J	AB
R	328	87-A00-258-080	RES, M/F 0.22-1W J	AB
R	327	87-A00-258-080	RES, M/F 0.22-1W J	AB
R	339	87-A00-258-080	RES, M/F 0.22-1W J	AB

ELECTRICAL MAIN PARTS LIST - 9/9

R	340	87-A00-258-080	RES,M/F 0.22-1W J
TH	201	87-A91-042-080	C-THMS,100K 55001
TH	202	87-A91-042-080	C-THMS,100K 55001

AB.....
AB.....
AB.....

ELECTRICAL MAIN PARTS LIST - 1/3 (TUNER: ZZA-1)

NOTE: The characters in the suffix column indicate the part usage.

URTM	REF.NO	PARTS NO.	XX KANRI NO.	DESCRIPTION	C SUFFIX
	C	701	87-010-381-080	0E CAP, ELECT 330-16V	ABC
	C	702	87-010-404-080	0E CAP, ELECT 4.7-50V	ABC
	C	704	87-012-286-080	0E CAP, U 0.01-25	ABC
	C	703	87-012-286-080	0E CAP, U 0.01-25	ABC
	C	711	87-010-260-080	0E CAP, ELECT 47-25V	ABC
	C	711	87-010-553-080	0E CAP, E 47-16	ABC
	C	712	87-010-831-080	0E C-CAP, U, 0.1-16F	ABC
	C	718	87-012-179-080	0E C-CAP, U 20P-50 CH	.BC
	C	714	87-012-286-080	0E CAP, U 0.01-25	ABC
	C	717	87-012-286-080	0E CAP, U 0.01-25	ABC
	C	719	87-012-286-080	0E CAP, U 0.01-25	ABC
	C	727	87-010-196-080	0E CHIP CAPACITOR, 0.1-25	ABC
	C	728	87-010-248-080	0E CAP, ELECT 220-10V	ABC
	C	721	87-012-176-080	0E CAP 15P	ABC
	C	722	87-012-176-080	0E CAP 15P	ABC
	C	720	87-012-195-080	0E C-CAP, U 100P-50CH	ABC
	C	729	87-012-274-080	0E CHIP CAP, U 1000P-50B	ABC
	C	725	87-018-131-080	0E CAP, CER 1000P-50V	ABC
	CN	701	87-A60-650-010	1A CONN, 16P H GRY TUC-P16X-C1	ABC
	CN	701	87-A60-700-010	0E CONN, 13P H GRY TUC-P13X-C1	ABC
	D	721	87-017-149-080	0E ZENER, HZS6A2L	.BC
	D	722	87-020-465-080	0E DIODE, 1SS133 (110MA)	ABC
	D	721	87-A40-234-080	0E ZENER, MTZJ5.6A	A
	IC	721	87-070-127-110	1C IC, LC72131 D	ABC
	Q	713	87-A30-072-080	0E C-TR, RT1P 144C	ABC
	Q	712	87-A30-072-080	0E C-TR, RT1P 144C	ABC
	Q	711	87-A30-196-080	0E TR, 2SC4115SRS	A
	Q	711	87-A30-234-080	0E TR, CSC4115BC	.BC
	X	721	87-A70-061-010	1A VIB, XTAL 4.500MHZ CSA-309	ABC
	C	872	87-010-400-080	0E CAP, ELECT 0.47-50V	AB
	C	873	87-010-404-080	0E CAP, ELECT 4.7-50V	AB
	C	877	87-012-278-080	0E C-CAP, U 2200P-50 B	AB
	C	878	87-012-278-080	0E C-CAP, U 2200P-50 B	AB
	C	889	87-010-248-080	0E CAP, ELECT 220-10V	AB
	C	884	87-010-260-080	0E CAP, ELECT 47-25V	AB
	C	883	87-010-404-080	0E CAP, ELECT 4.7-50V	AB
	C	885	87-010-545-080	0E CAP, ELECT 0.22-50V	A
	C	886	87-010-545-080	0E CAP, ELECT 0.22-50V	A
	C	888	87-010-787-080	0E CAP, U 0.022-25	AB
	C	881	87-012-141-080	0E CHIP-CAPACITOR, 0.22-16F	AB
	C	882	87-012-172-080	0E CAPACITOR CHIP U 10P CH	AB
	C	887	87-012-286-080	0E CAP, U 0.01-25	AB
	C	885	87-016-460-080	0E C-CAP, S 0.22-16 B	.B
	C	886	87-016-460-080	0E C-CAP, S 0.22-16 B	.B
	IC	871	87-070-060-040	1F IC, TA2040AF	AB
	Q	873	87-026-226-080	0E CHIP-TR, DTA143EK	AB
	X	891	87-030-394-010	1B VIB, CER CSA3.6MGF228	AB
	C	705	87-010-213-080	0E C-CAP, S 0.015-50 B	ABC
	C	706	87-010-213-080	0E C-CAP, S 0.015-50 B	ABC
	C	705	87-A10-592-080	0E C-CAP, S 0.015-50 J B	.BC
	C	706	87-A10-592-080	0E C-CAP, S 0.015-50 J B	.BC
	C	733	87-010-180-080	0E C-CER 1500P	ABC
	C	738	87-010-180-080	0E C-CER 1500P	ABC
	C	737	87-010-180-080	0E C-CER 1500P	ABC
	C	734	87-010-180-080	0E C-CER 1500P	ABC
	C	735	87-010-213-080	0E C-CAP, S 0.015-50 B	ABC
	C	736	87-010-213-080	0E C-CAP, S 0.015-50 B	ABC
	C	736	87-010-987-080	0E C-CAP, S 1500P-50 CH	.BC
	C	733	87-010-987-080	0E C-CAP, S 1500P-50 CH	.BC
	C	735	87-010-987-080	0E C-CAP, S 1500P-50 CH	.BC
	C	734	87-010-987-080	0E C-CAP, S 1500P-50 CH	.BC
	C	734	87-012-280-080	0E CAP, U 3300P-50	ABC
	C	733	87-012-280-080	0E CAP, U 3300P-50	ABC
	C	738	87-A10-592-080	0E C-CAP, S 0.015-50 J B	.BC
	C	737	87-A10-592-080	0E C-CAP, S 0.015-50 J B	.BC
	C	752	87-010-220-080	0E C-CAP, S 0.018-25 B	.B
	C	751	87-010-220-080	0E C-CAP, S 0.018-25 B	.B
	C	758	87-012-167-080	0E C-CAP, U 5P-50 CH	ABC
	C	757	87-012-188-080	0E C-CAP, U 47P-50 CH	ABC
	C	753	87-012-195-080	0E C-CAP, U 100P-50CH	ABC
	C	752	87-012-282-080	0E CAP, U 4700P-50	ABC
	C	756	87-012-286-080	0E CAP, U 0.01-25	ABC
	C	751	87-012-365-080	0E C-CAP, S 0.027-25VBK	.C
	C	752	87-012-365-080	0E C-CAP, S 0.027-25VBK	.C
	C	766	87-010-197-080	0E CAP, CHIP 0.01 DM	ABC
	C	769	87-010-260-080	0E CAP, ELECT 47-25V	ABC
	C	768	87-012-286-080	0E CAP, U 0.01-25	ABC
	C	765	87-012-286-080	0E CAP, U 0.01-25	ABC
	C	764	87-012-337-080	0E C-CAP, U 56P-50 CH	ABC
	C	774	87-010-263-080	0E CAP, ELECT 100-10V	ABC
	C	771	87-010-383-080	0E CAP, ELECT 33-25V	ABC
	C	777	87-010-400-080	0E CAP, ELECT 0.47-50V	ABC
	C	775	87-010-404-080	0E CAP, ELECT 4.7-50V	ABC
	C	777	87-010-493-040	0E CAP, E 0.47-50 GAS	ABC
	C	777	87-010-493-080	0E CAP, E 0.47-50 GAS	ABC
	C	770	87-010-829-080	0E CAP, U 0.047-16	ABC

ELECTRICAL MAIN PARTS LIST - 2/3 (TUNER: ZZA-1)

C	780	87-010-196-080	0E	CHIP CAPACITOR,0.1-25	ABC
C	786	87-010-401-080	0E	CAP, ELECT 1-50V	ABC
C	785	87-010-401-080	0E	CAP, ELECT 1-50V	ABC
C	786	87-010-405-080	0E	CAP, ELECT 10-50V	ABC
C	785	87-010-405-080	0E	CAP, ELECT 10-50V	ABC
C	785	87-010-494-080	0E	CAP ELECT GAS 1/50	ABC
C	786	87-010-494-080	0E	CAP ELECT GAS 1/50	ABC
C	787	87-012-275-080	0E	C-CAP,U 1200P-50 B	ABC
C	788	87-012-275-080	0E	C-CAP,U 1200P-50 B	ABC
C	784	87-012-286-080	0E	CAP, U 0.01-25	ABC
C	796	87-010-403-080	0E	CAP, ELECT 3.3-50V	ABC
C	794	87-010-406-080	0E	CAP, ELECT 22-50	ABC
C	795	87-010-596-080	0E	CAP, S 0.047-16	ABC
C	793	87-012-273-080	0E	C-CAP,U 820P-50 B	ABC
C	797	87-012-276-080	0E	CAP, CHIP SS 1500 PBK	A
C	798	87-012-276-080	0E	CAP, CHIP SS 1500 PBK	A
D	771	87-020-465-080	0E	DIODE,1SS133 (110MA)	ABC
D	773	87-A40-291-080	0E	DIODE,1N4148 (CPT)	ABC
IC	771	87-A20-913-010	1D	IC,LA1837NL	ABC
L	771	87-A50-266-010	1A	COIL,FM DET-2N(TOK)	ABC
L	772	87-A90-052-010	1C	FLTR,CFMT-450A(TOK)	ABC
L	772	87-A90-053-010	1C	FLTR,PCFMT-060(TOK)	AB
L	772	87-A90-733-010	1A	FLTR,PCFAZH-450(TOK)	ABC
L	772	87-A91-110-010	1A	FLTR,PCFJZH-450(TOK)	ABC
L	781	87-005-847-080	0E	COIL,2.2UH(CECS)	ABC
L	792	87-A50-027-010	1A	COIL,1 POLE MPX(TOK)	ABC
L	791	87-A50-027-010	1A	COIL,1 POLE MPX(TOK)	ABC
X	771	87-030-354-010	1A	VIB,CF BFU 450C	ABC
C	859	87-012-286-080	0E	CAP, U 0.01-25	ABC
C	865	87-010-196-080	0E	CHIP CAPACITOR,0.1-25	ABC
C	866	87-010-405-080	0E	CAP, ELECT 10-50V	ABC
C	864	87-010-405-080	0E	CAP, ELECT 10-50V	ABC
C	869	87-012-180-080	0E	C-CAP,U 22P-50 CH	ABC
C	868	87-012-184-080	0E	C-CAP,U 33P-50 CH	ABC
C	862	87-012-199-080	0E	CAP 220P	ABC
C	861	87-012-199-080	0E	CAP 220P	ABC
C	863	87-012-270-080	0E	CAP, U 470P-50	ABC
C	867	87-012-286-080	0E	CAP, U 0.01-25	ABC
IC	851	87-A20-440-040	1H	C-IC,BUI920FS	ABC
L	851	87-005-847-080	0E	COIL,2.2UH(CECS)	ABC
Q	853	87-A30-076-080	0E	C-TR,2SC3052F	ABC
X	851	87-A70-091-010	1B	VIB,XTAL 4.332MHZ CSA-309	ABC
C	820	87-010-260-080	0E	CAP, ELECT 47-25V	ABC
C	942	87-012-172-080	0E	CAPACITOR CHIP U 10P CH	ABC
C	941	87-012-180-080	0E	C-CAP,U 22P-50 CH	ABC
C	947	87-012-286-080	0E	CAP, U 0.01-25	ABC
C	940	87-012-286-080	0E	CAP, U 0.01-25	ABC
C	944	87-014-049-080	0E	CAP,PP 470P-100 J	ABC
C	944	87-014-051-080	0E	CAPACITOR (PP), 560P	ABC
C	949	87-A10-039-080	0E	C-CAP,U 470P-50 J CH	ABC
C	958	87-010-197-080	0E	CAP, CHIP 0.01 DM	ABC
C	956	87-010-263-080	0E	CAP, ELECT 100-10V	ABC
C	959	87-010-831-080	0E	C-CAP,U,0.1-16F	ABC
C	952	87-012-286-080	0E	CAP, U 0.01-25	ABC
C	954	87-012-358-080	0E	C-CAP,S 0.47-10 F Z	ABC
C	950	87-014-073-080	0E	CAP,PP 4700P-100 J	ABC
C	963	87-010-196-080	0E	CHIP CAPACITOR,0.1-25	ABC
C	962	87-010-401-080	0E	CAP, ELECT 1-50V	ABC
C	964	87-012-170-080	0E	C-CAP,U 8P-50 CH	A
C	961	87-012-174-080	0E	CAP CHIP CERA SS 12P CHJ	ABC
C	960	87-012-350-080	0E	C-CAP,1-25 F	ABC
CF	802	82-785-747-010	1A	CF MS2 GHY R	ABC
CF	802	87-008-261-010	1A	FILTER, SFE10.7MA5-A	ABC
CF	801	87-008-261-010	1A	FILTER, SFE10.7MA5-A	ABC
CF	801	87-008-423-010	1A	CERAMIC FILTER, SFE10.7	ABC
D	944	87-020-465-080	0E	DIODE,1SS133 (110MA)	ABC
D	942	87-A40-270-080	0E	C-DIODE,MC2838	ABC
FFE	801	A8-6ZA-190-030	0E	6ZA-1 FEUNM	ABC
FFE	801	A8-6ZA-191-130	0E	6ZA-1 FEENM	ABC
FFE	801	A8-6ZA-192-030	2Y	6ZA-1 FEJNM	B
FFE	801	A8-6ZA-199-170	0E	6ZA-1 FEENC	ABC
FFE	801	A8-6ZA-19A-070	0E	6ZA-1 FEJNC	ABC
FFE	801	A8-6ZA-19D-070	1H	6ZA-1 YFEJNC	A
FFE	801	A8-8ZA-190-030	0E	8ZA-1 FEUNM	ABC
FFE	801	A8-8ZA-192-070	0E	8ZA-1 FEUNC	ABC
FFE	801	A8-8ZA-193-070	1E	8ZA-1 YFEUNC	ABC
J	801	87-033-241-010	1B	TERMINAL,ANT AJ-2039	ABC
J	801	87-A60-702-010	1B	TERMINAL,ANT 4P CJ-9036	ABC
J	801	87-A60-703-010	1A	TERMINAL,ANT 3P CJ-9037	ABC
J	940	81-754-629-010	0E	CONNECTOR, 2P	ABC
L	832	87-005-847-080	0E	COIL,2.2UH(CECS)	ABC
L	943	87-005-372-080	0E	COIL S 1MHM	ABC
L	942	87-A50-019-010	0E	COIL,OSC LW(COI)	ABC
L	941	87-A50-020-010	0E	COIL,ANT LW(COI)	ABC
L	941	87-A50-022-010	0E	COIL,ANT SW(COI)	ABC
L	944	87-A50-159-010	0E	COIL,10MH K C2B	ABC
L	942	87-A50-173-010	0E	COIL,OSC SW-N(COI)	ABC
L	943	87-A50-432-010	0E	COIL,1MH K CW	ABC
L	981	87-A50-430-010	0E	COIL,ANT MW(3BSW)	ABC
L	982	87-A50-431-010	0E	COIL,OSC MW(3BSW)	ABC
L	981	87-NF4-650-010	1D	COIL,AM PACK 4N(TOK)	A
L	981	87-NF4-651-010	1C	COIL,AM PACK2N(TOM)	ABC

ELECTRICAL MAIN PARTS LIST - 3/3 (TUNER: ZZA-1)

L	981	88-NF8-625-110	1D	COIL, AM PACK3N (TOK)
L	981	8Z-ZA1-664-010		COIL, AM PACK 4 (TOK)	.BC.....
L	981	8Z-ZA1-665-010		COIL, AM PACK 2 (TOK)
Q	712	87-A30-072-080	0E	C-TR, RT1P 144C	ABC.....
Q	805	89-327-143-080	0E	TR, 2SC2714 (0.1W)	ABC.....
Q	943	87-A30-075-080	0E	C-TR, 2SA1235F
Q	942	87-A30-075-080	0E	C-TR, 2SA1235F
Q	949	87-A30-076-080	0E	C-TR, 2SC3052F
Q	945	87-A30-076-080	0E	C-TR, 2SC3052F
Q	944	87-A30-076-080	0E	C-TR, 2SC3052F
Q	948	87-A30-086-070	0E	C-TR, CSD1306E
Q	947	89-503-602-080	1A	C-FET, 2SK360E
Q	947	89-505-434-540	0E	C-FET, 2SK543 (4/5)
Q	951	87-A30-074-080	0E	C-TR, RT1P 141C
SCR	981	87-A40-618-080		VARI-CAP, SVC 348 (S/T)
TC	942	87-011-164-010	0E	CAPACITOR, TRIMMER 30P
TC	941	87-011-173-010	1A	CERAMIC TRIMMER 20P
TC	941	87-011-220-080	1A	TRIMMER CAP 20P VTC
TC	943	87-011-221-080	1A	CAP, TRIMMER 30P

MECHANICAL PARTS LIST - 1/2

NOTE: The characters in the suffix column indicate the part usage.

REF.NO	PARTS NO.	NO.	DESCRIPTION	SUFFIX
LH		XX		A
U		XX		B
		KANRI		
8Z	NF5-004-010		CABI, STEEL	AB
8Z	NF6-001-010		CABI, FR U	AB
8Z	NF6-002-010		CABI, FR EZ	
8Z	NF6-003-010		BOX, CASS 1 U	AB
8Z	NF6-004-010		BOX, CASS 2 U	AB
8Z	NF6-005-010		PANEL, TRAY U	AB
8Z	NF6-006-010		WINDOW, DISP U	B
8Z	NF6-007-010		PANEL, FR U	AB
8Z	NF6-008-010		PANEL, FUN	AB
8Z	NF6-009-010		PANEL, FR EZ	
8Z	NF6-010-010		PANEL, JOG	AB
8Z	NF6-011-010		RING, VOL	AB
8Z	NF6-012-010		PANEL, CASS 1 U	AB
8Z	NF6-013-010		PANEL, CASS 2 U	AB
8Z	NF6-014-010		WINDOW, CASS 1	AB
8Z	NF6-015-010		WINDOW, CASS 2	AB
8Z	NF6-016-010		PANEL, CD U	AB
8Z	NF6-017-010		PANEL, CD EZ	
8Z	NF6-027-010		WINDOW, DISP H	A
8Z	NF6-028-010		WINDOW, DISP EZ	
8Z	NF6-061-010		CABI, REAR USTM	B
8Z	NF6-062-010		CABI, REAR HRJSTM	
8Z	NF6-063-010		CABI, REAR LHSTNM	A
8Z	NF6-064-010		CABI, REAR EZSTE	
8Z	NF6-065-010		CABI, REAR KSTE	
8Z	NF6-069-010		CABI, REAR EZSTE898	
8Z	NF6-071-010		CABI, RERA LHST	
8Z	NF6-072-010		CABI, REAR EZSTM	
8Z	NF6-018-010		KEY, POWER	AB
8Z	NF6-019-010		KEY, BBE	AB
8Z	NF6-021-010		KEY, ASSY OPE	AB
8Z	NF6-024-010		KEY, ASSY FUN	AB
8Z	NF6-030-010		KEY, REC	AB
8Z	NF6-031-010		KEY, RDS	
8Z	NF6-034-010		KEY, JOG	AB
8Z	NF6-035-010		KEY, MIC	AB
8Z	NF6-036-010		KEY, EDIT	AB
8Z	NF6-037-010		KEY, CD	AB
8Z	NF6-038-010		KEY, PAD	AB
8Z	NF6-039-010		KEY, DOLBY	
8Z	NF6-044-010		KNOB, RTRY VOL	AB
8Z	NF6-045-010		KNOB, RTRY JOG	AB
81	532-080-010		LABEL, CASS. COMPT	AB
86	NF6-061-010		REFLECTOR, CASS	AB
8Z	NF6-046-010		REFLECTOR, JOG	AB
8Z	NF6-048-010		REFLECTOR, ECO	AB
8Z	NF6-049-010		REFLECTOR, CD	AB
87	NF6-616-010		CONN ASSY, 8P RPB	AB
84	ZG1-245-210		CAP, OPTICAL	AB
82	NF5-218-010		SPR-T, EJECT 1 (SIN)	AB
82	NF5-219-010		SPR-T, EJECT 2 (SIN)	AB
82	NF5-229-010		PLATE, LOCK	AB
86	NF9-224-010		SPR-C, LOCK	AB
87	064-185-010		HLDR, WIRE	AB
87	NF4-216-010		HLDR, LOCK 1	AB
87	NF4-217-010		HLDR, LOCK 2	AB
87	NF4-221-010		HLDR, CABLE	AB
87	NF8-220-010		DMPR, 150	AB
88	NF5-208-010		HLDR, PWB-M N	AB
8Z	NF5-214-010		HLDR, HT F	AB
8Z	NF5-215-010		HLDR, HT R	AB
8Z	NF5-219-010		HLDR, FAN	AB
8Z	NF6-201-010		GUIDE, CD	AB
87	067-641-010		UTT2+3-8 (W/O SLOT)BL	AB
87	067-688-010		BVTT+3-6	AB
87	067-703-010		TAPPING SCREW, BVT2+3-10	AB
87	067-758-010		BVT2+3-12 W/O SLOT	AB
87	078-191-010		S-SCREW, IT+4-10	AB
87	591-094-410		TAPPING SCREW, QIT+3-6	AB
87	591-095-410		TAPPING SCREW, QIT+3-8 (GLD)	AB
87	721-097-410		QT2+3-12 GLD	AB
87	723-096-410		QT2+3-10W/O SLOT BL	AB
87	NF4-224-010		S-SCREW, IT3B+3-8 CU	AB
87	085-185-010		BUSHING, AC CORD (E)	AB
87	099-811-010		PLUG, ADPTR CONV(K)	
87	A91-314-010		FAN, 3110GL-B4W-B34-H02	AB
88	906-301-110		FF-CABLE, 6P-1.25	AB
88	906-701-110		FF-CABLE, 6P 1.25 700MM	AB
88	913-551-110		FF-CABLE, 13P 1.25 550MM	AB
88	915-181-110		FF-CABLE, 15P 1.25	AB
PT	101	8Z-NF6-621-010	PT, ZNF-6 U	B
PT	101	8Z-NF6-622-010	PT, ZNF-6 LH	A
PT	101	8Z-NF6-623-010	PT, ZNF-6 HR	
PT	101	8Z-NF6-624-010	PT, ZNF-6 EZ	
W	101	87-050-079-010	AC-CORD ASSY, E	A

MECHANICAL PARTS LIST - 2/2

W	101	87-A80-110-010	AC CORD ASSY,U SPT-2W	.B.....
		8Z-NF5-207-010	HLDR,PWB PT	AB.....
		87-067-579-010	TAPPING SCREW, BVT2+3-8	AB.....
WH	1	87-A90-510-010	HLDR,WIRE 2.5-9P	AB.....

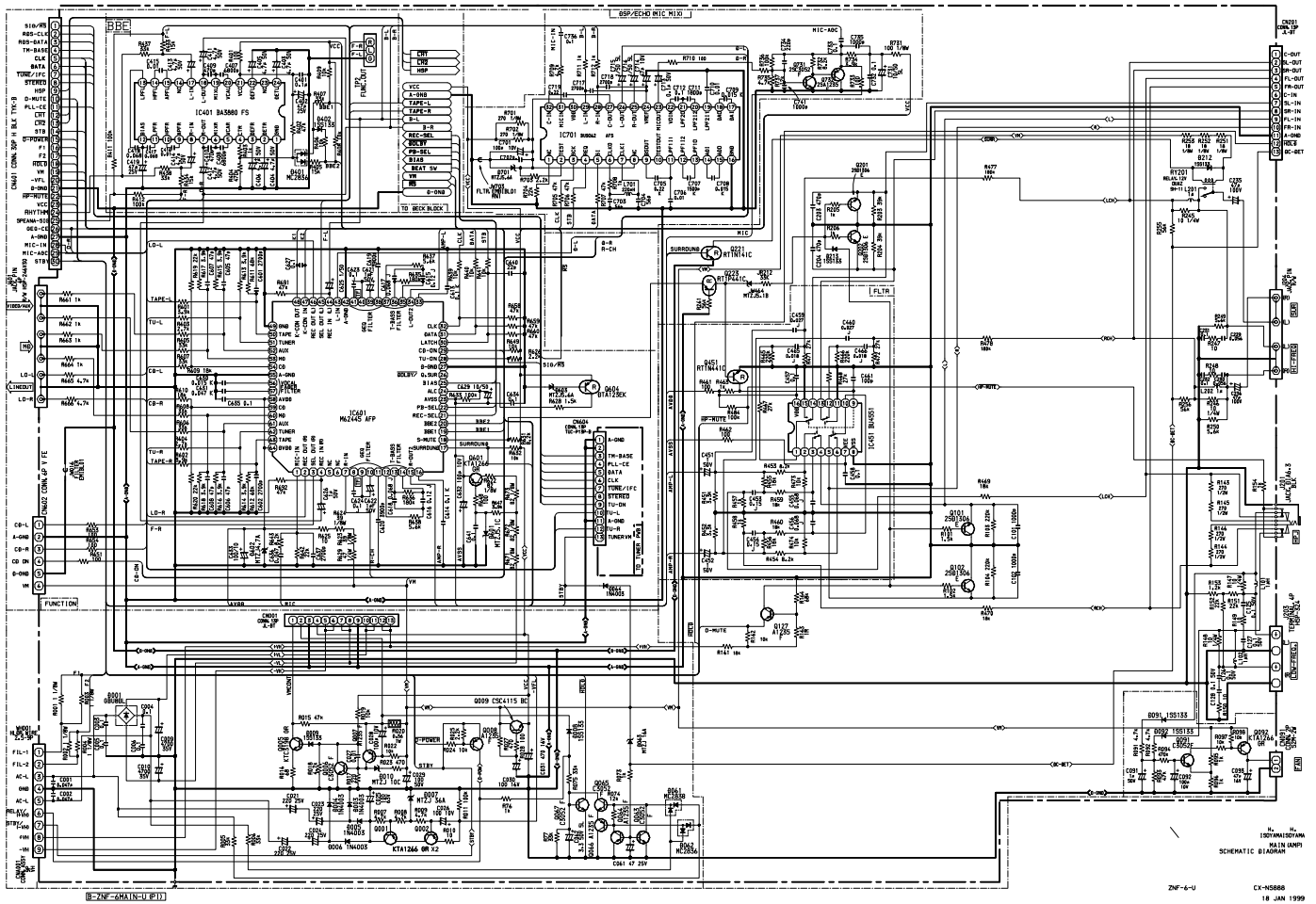
ACCESSORIES / PACKAGE LIST - 1/1

NOTE: The characters in the suffix column indicate the part usage.

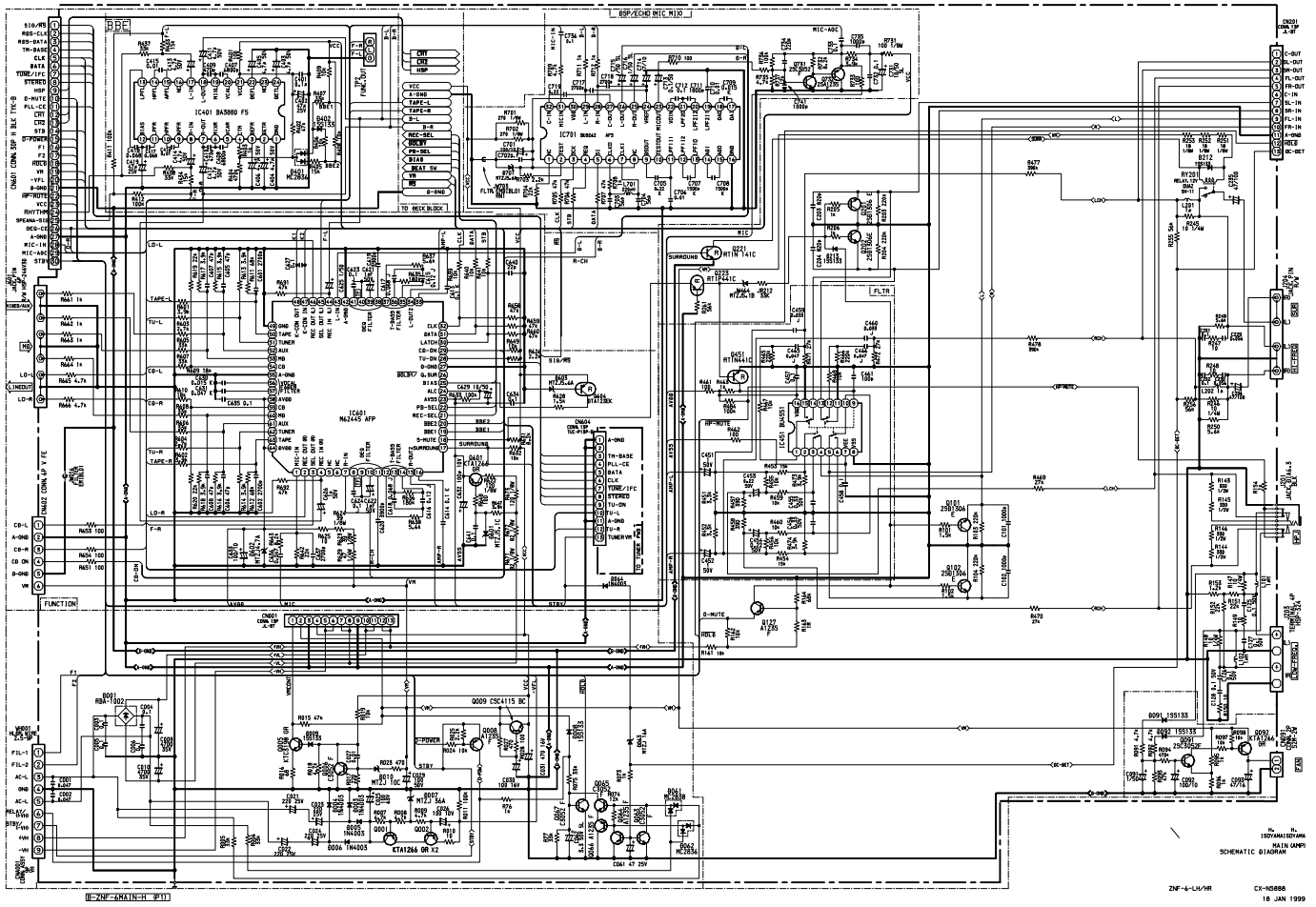
LHXX.....A.....
 UXX.....B.....

REF.NO	PARTS NO.	KANRI NO.	DESCRIPTION	SUFFIX
	8Z-NF6-862-010		CTN, PRINTED HRJSTM
	8Z-NF6-901-010		IB, H(ECA)M
	8Z-NF6-902-010		IB, LH(ESP)M	A.....
	8Z-NF6-903-010		IB, U(ESF)M	.B.....
	8Z-NF6-905-010		IB, K(E)E
	8Z-NF6-906-010		IB, EZ(9L)E
	8Z-NF6-916-010		IB, EZ(9L)M
	87-006-225-010		AM LOOP ANT NC2	AB.....
	87-006-269-010		AM LOOP ANT (UN)
	87-043-095-010		WIRE ANTENNA
	87-043-106-010		WIRE, FM ANT (Z)
	87-043-115-010		ANT, FEEDER FM	AB.....
	87-A91-017-010		PLUG, CONVERSION JT-0476	A.....
	8Z-NF8-701-110		RC UNIT, RC-ZAS01	AB.....

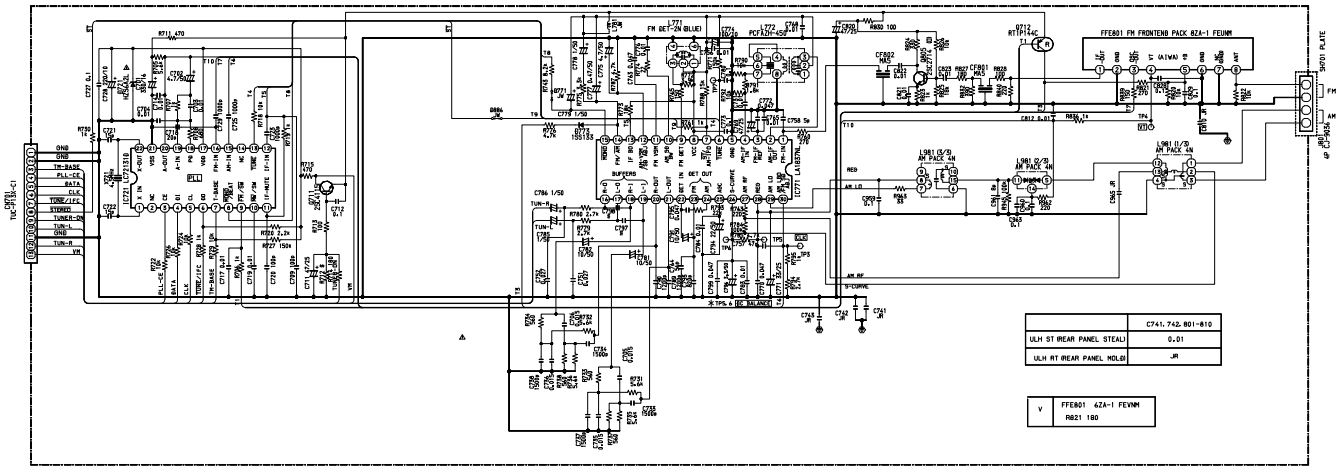
SCHEMATIC DIAGRAM - 1 (MAIN : U)



SCHEMATIC DIAGRAM - 2 (MAIN : LH)



SCHEMATIC DIAGRAM - 3 (TUNER)



	C741, 742, 801-810
ULH ST REAR PANEL, STEAL	0.01
ULH RT REAR PANEL, HDL	JR

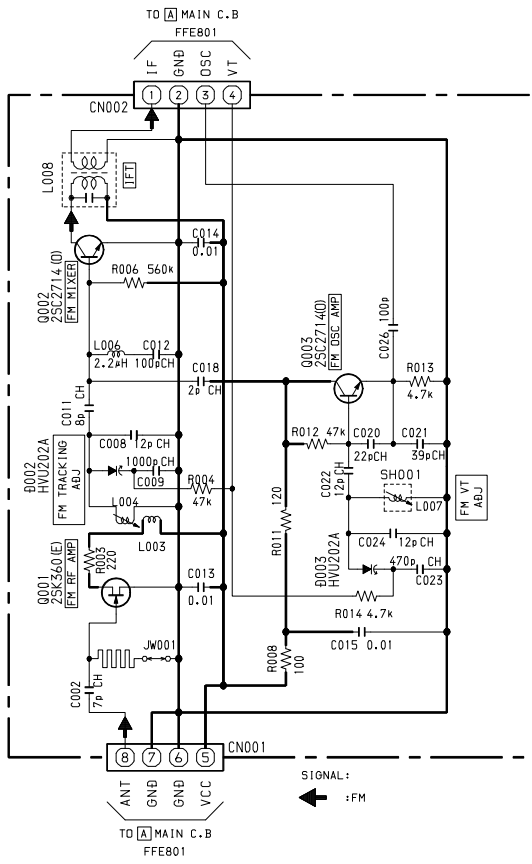
V	FF801 6A2-1 FEVM RB21 180
---	------------------------------

8272-1-6

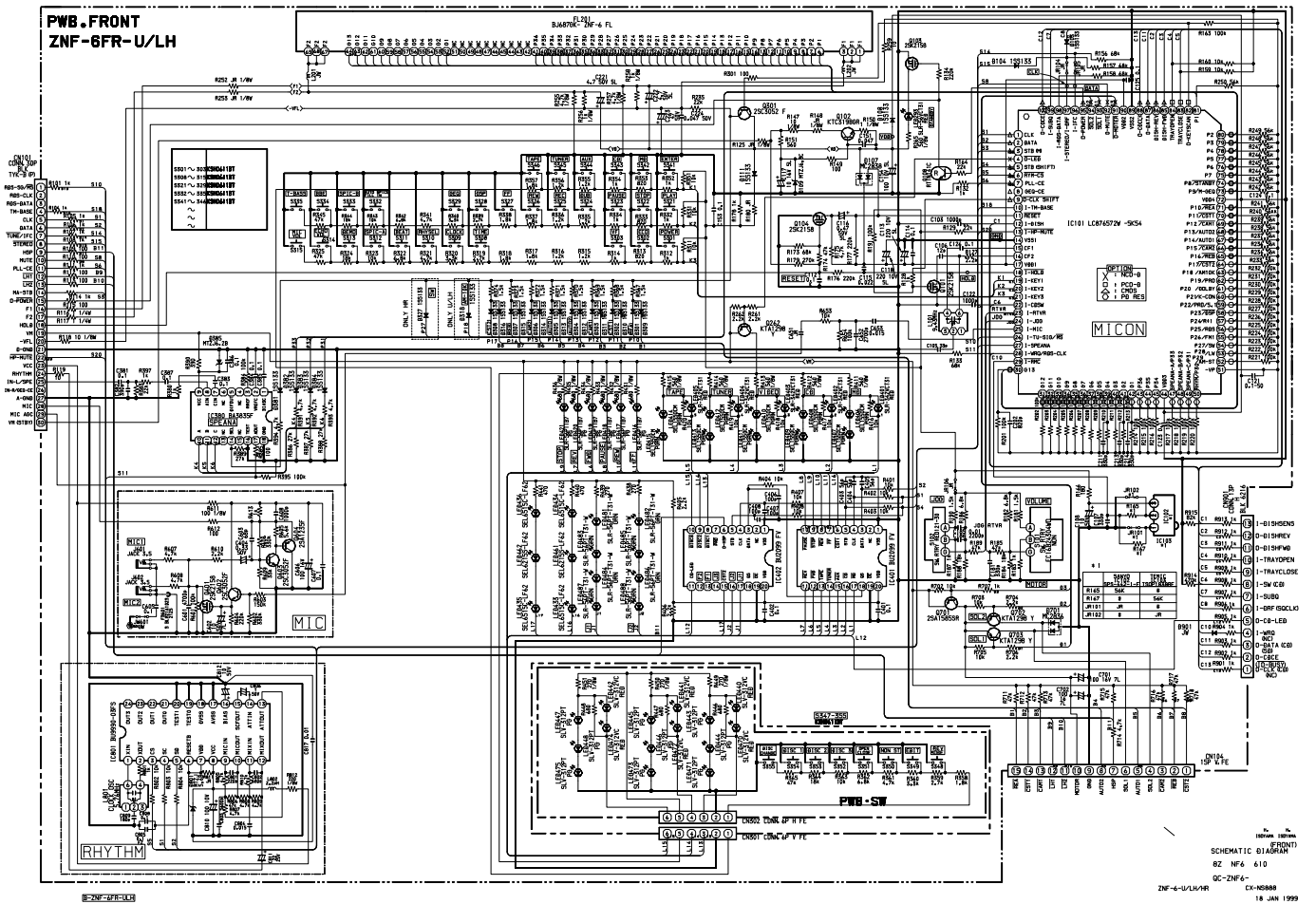
SHVO 1-1,6
 98101 CHANGE 0211 Δ FENORIC 1500 82 241 421 11
 RTG-6-A → H25A2L
 98101 CANCEL C866 JR Δ UC-822A1-02-1

04 06 98

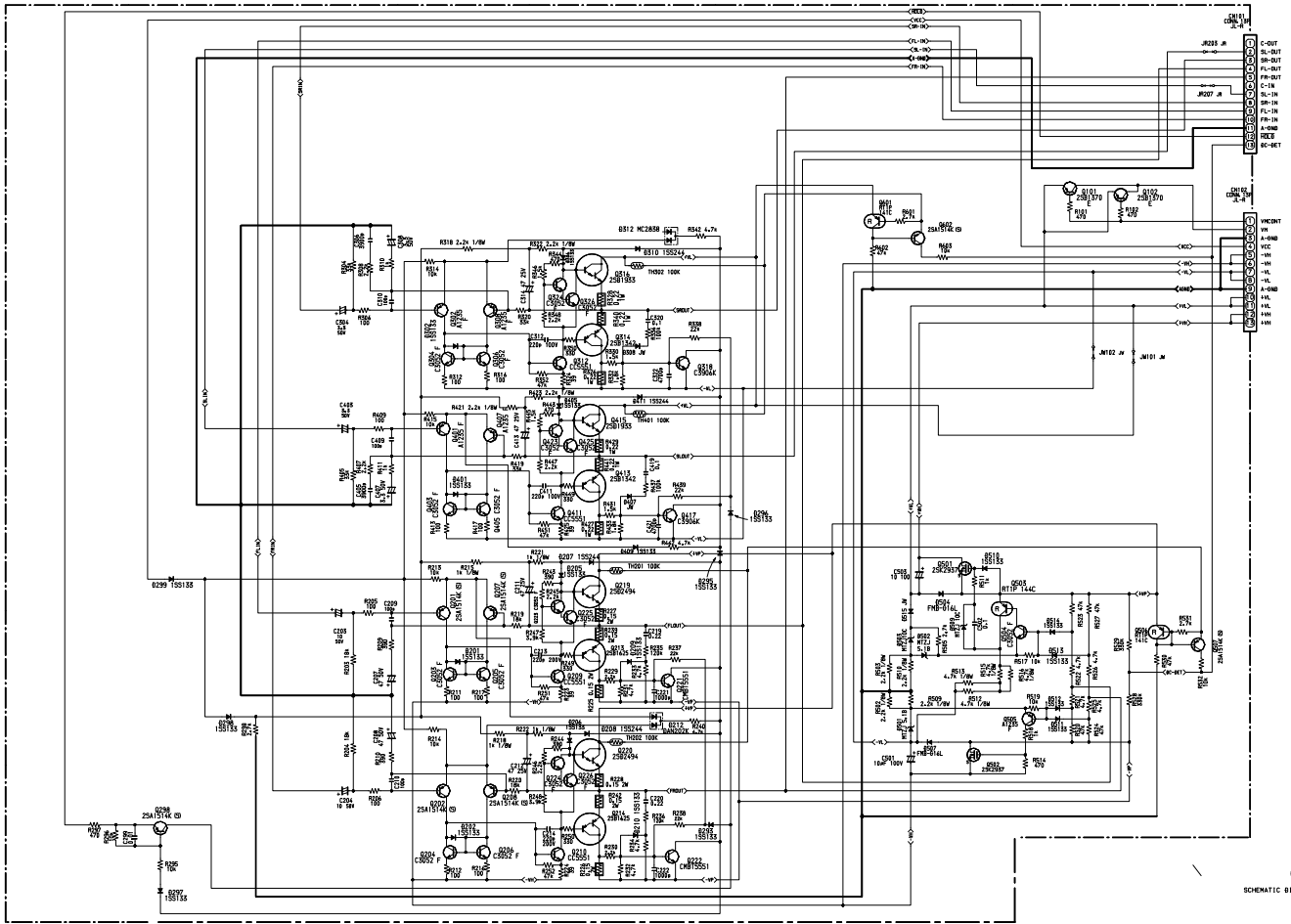
SCHEMATIC DIAGRAM - 4 (TUNER FRONT END)



SCHEMATIC DIAGRAM - 5 (FRONT)



SCHEMATIC DIAGRAM – 6 (AMP : U)

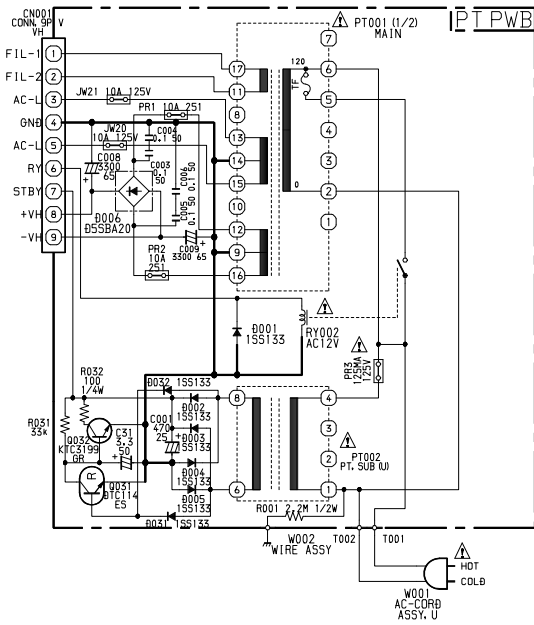


HPRI ESTIMA
SCH AMP
SCHEMATIC DIAGRAM

ZNF-6-U

CX-NS688
18 JAN 1999

SCHEMATIC DIAGRAM - 8 (PT : U)



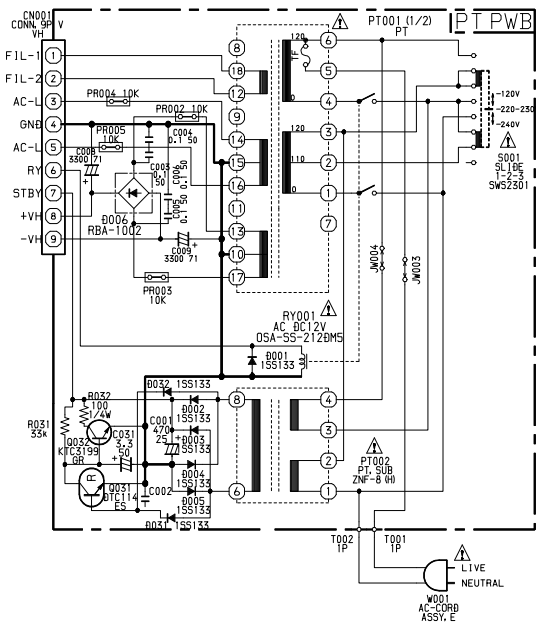
H. H.
ISOYAMAI SOYAMA
SCHEMATIC DIAGRAM

ZNF-6-U

CX-NS888
18 JAN 1999

B-ZNF-6PT-U

SCHEMATIC DIAGRAM - 9 (PT : LH)



H. H.
ISOYAMAISOYAMA
(PT)
SCHEMATIC DIAGRAM

B-ZNF-6PT-H

ZNF-6-LH/HR

CX-NS888

18 JAN 1999

サービス技術ニュース	
番号	連絡内容
G-	-
G-	-
G-	-

アイワ株式会社
AIWA CO.,LTD.

9301978

Tokyo Japan

〒110-8710 東京都台東区池之端1-2-11 ☎03(3827)3111 (代表)

Printed in Singapore